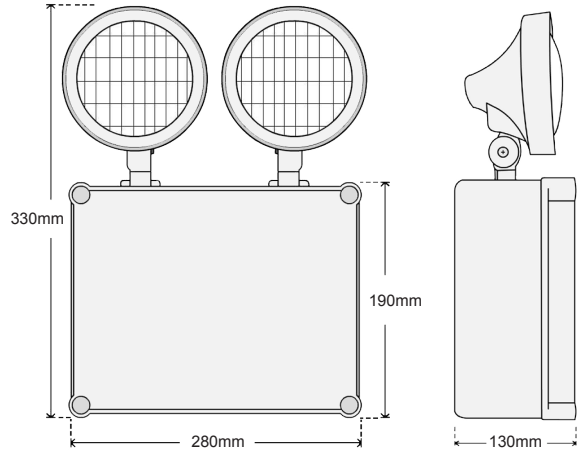


Weatherproof Twin Spot LED

- Weatherproof design suitable for outdoor applications.
- Low heat generation, ensures longer and reliable service life.
- Low battery voltage cut-off with latch function, to eliminate battery over discharge.
- Charge LED indicator and test button.



TECHNICAL SPECIFICATIONS

Model Number : TED10NM(WP)

| | |
|--------------------------|---|
| Mode of Operation : | Non maintained |
| Lamp : | 2 x 3W Power LED module |
| Rated Duration : | 2 Hours |
| Mains Supply : | 220-240 Volts |
| Mains Frequency : | 50-60Hz |
| Power Consumption : | < 1.5W |
| Battery : | High Temperature Nickel Cadmium |
| Charger : | Regulated variable rate |
| Charge Monitor : | LED |
| Test Facility : | Momentary test switch |
| Safety Features : | Low battery voltage cut off to prevent over discharge |
| Recharge Period : | < 24 Hours |
| Fitting Construction : | Moulded Fire retardant (UL94) housing and diffuser. |
| Weight : | Approximately 2.5 Kg |
| Dimensions : | 330mm (W) x 280mm (H) x 130mm (D) |
| Standards / Compliance : | IEC 60598-2-22, SS 263 Part 2, SS 563 |
| Approvals : | PSB Type test, PSB PLS (Product Listing Scheme) |



IP65
CLASS II



PSB Singapore



Type and batch tested with
PSB PLS-LISTED LABEL