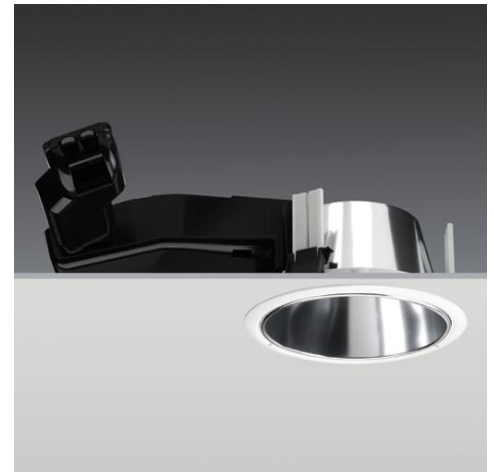


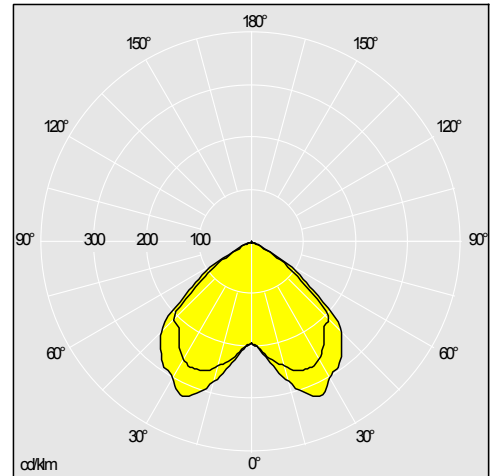
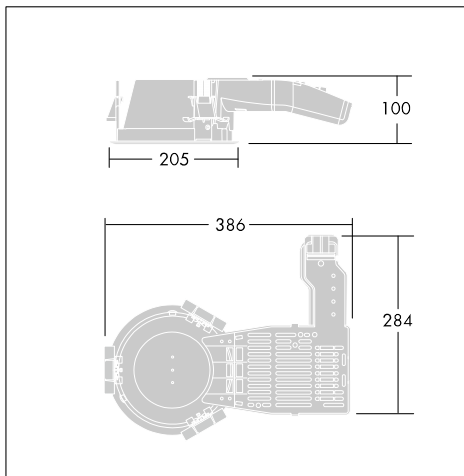
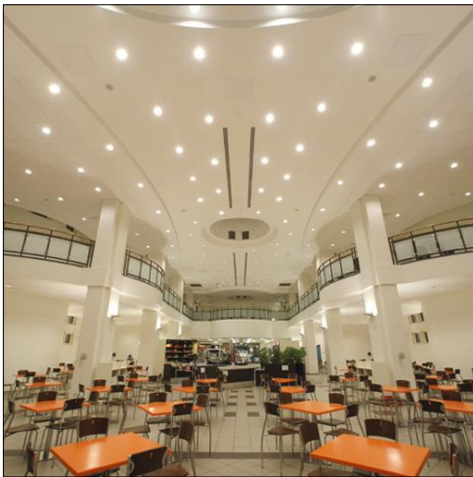
Chalice 190 H

The all new Chalice 190 is a multi purpose problem solver with high versatility and excellent performance

- New energy saving compact fluorescent lamps consume 25% less power compared to traditional versions
- A satin aluminium reflector improves performance and extends the range up to 2x32W TC-TEL compact fluorescent lamps
- A discrete integral 3hr LED emergency solution at the bottom of the reflector reduces charging power consumption by 60% when compared to conventional compact fluorescent versions
- HFI-models are equipped with the latest multi-functional dimmable ballast, allowing DALI or DSI control and Corridor functionality - the choice is yours!



Photographs, line drawings and photometric data are representative only. For specific product detail please select an individual product.



96548556

Material/Finish

Body: polycarbonate, black

Mounting clips: polycarbonate, black

Bezel and frame: polycarbonate, white

Reflector: satinbrite, high purity aluminium or vacuum metallised mirrorbrite polycarbonate

Installation/Mounting

Adjustable fixing clips suitable for ceiling thicknesses from 1 - 25mm. No tools required. Cut out diameter 190mm.

Specification

To specify state:

Recessed downlight, mains/LED emergency, for horizontal single/twin 18/26W TC-DEL, 32/42W TC-TEL and 14/17W PL-R lamps. Satinbrite aluminium or vacuum metallised polycarbonate reflector choice of attachments.

As Thorn Chalice 190H

Chalice 190 H

Ordering Guide Lamps to be ordered separately, except L830/L840 versions are supplied complete with lamp.

Description	ILCOS Code	Socket	Wt (kg)	SAP Code
Chalice 190 H Polycarbonate reflector				
CHALICE 190H PC 1x32 TC-TEL HF L840	FSM	GX24q-3	0,85	96240318
CHALICE 190H PC 1x18 TC-DEL HF	FSQ	G24q-2	0,75	96240152
CHALICE 190H PC 1x26 TC-DEL HF	FSQ	G24q-3	0,75	96240153
CHALICE 190H PC 2x18 TC-DEL HF	FSQ	G24q-2	0,85	96240154
CHALICE 190H PC 2x26 TC-DEL HF	FSQ	G24q-3	0,85	96240155
CHALICE 190H PC 1x18 TC-DEL HF L840	FSQ	G24q-2	0,75	96240160
CHALICE 190H PC 1x26 TC-DEL HF L840	FSQ	G24q-3	0,75	96240161
CHALICE 190H PC 2x18 TC-DEL HF L840	FSQ	G24q-2	0,85	96240162
CHALICE 190H PC 2x26 TC-DEL HF L840	FSQ	G24q-3	0,85	96240163
CHALICE 190H PC 2x26 TC-DEL HF SR2 L830	FSQ	G24q-3	0,85	96241243
CHALICE 190H PC 1x26 TC-DEL HF SR2 L830	FSQ	G24q-3	0,75	96241242
Chalice 190 H Polycarbonate reflector, emergency				
CHALICE 190H PC 1x18 TC-DEL HF E3	FSQ	G24q-2	1,05	96240156
CHALICE 190H PC 1x26 TC-DEL HF E3	FSQ	G24q-3	1,05	96240157
CHALICE 190H PC 2x18 TC-DEL HF E3	FSQ	G24q-2	1,1	96240158
CHALICE 190H PC 2x26 TC-DEL HF E3	FSQ	G24q-3	1,1	96240159
CHALICE 190H PC 1x18 TC-DEL HF E3 L840	FSQ	G24q-2	1,05	96240164
CHALICE 190H PC 1x26 TC-DEL HF E3 L840	FSQ	G24q-3	1,05	96240165
CHALICE 190H PC 2x18 TC-DEL HF E3 L840	FSQ	G24q-2	1,1	96240166
CHALICE 190H PC 2x26 TC-DEL HF E3 L840	FSQ	G24q-3	1,1	96240167
CHALICE 190H PC 1x32 TC-TEL HF E3 L840	FSM	GX24q-3	1,1	96240320
Chalice 190 H Polycarbonate reflector, dimmable				
CHALICE 190H PC 2x26 TC-DEL HFI	FSQ	G24q-3	0,9	96548550
CHALICE 190H PC 1x32 TC-TEL HFI	FSM	GX24q-3	0,9	96240314
Chalice 190 H Aluminium reflector				
CHALICE 190H ALU 2x18W TC-DEL HF L840	FSQ	G24q-2	0,8	96548624
CHALICE 190H ALU 2x26W TC-DEL HF L840	FSQ	G24q-3	0,8	96548626
CHALICE 190H ALU 2x32W TC-TEL HF L840	FSM	GX24q-3	0,95	96548629
CHALICE 190H ALU 1x32W TC-TEL HF L840	FSM	GX24q-3	0,85	96548627
Chalice 190 H Aluminium reflector, emergency				
CHALICE 190H ALU 2x18W TC-DEL HF E3 L840	FSQ	G24q-2	1,1	96548640
CHALICE 190H ALU 2x32W TC-TEL HF E3 L840	FSM	GX24q-3	1,25	96548645
CHALICE 190H ALU 2x26W TC-DEL HF E3 L840	FSQ	G24q-3	1,1	96548642
CHALICE 190H ALU 1x32W TC-TEL HF E3 L840	FSM	GX24q-3	1,1	96548643