

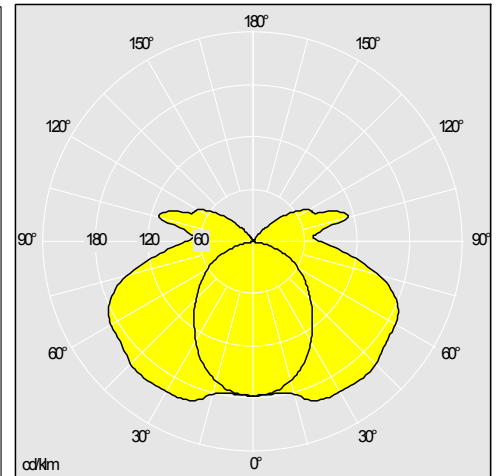
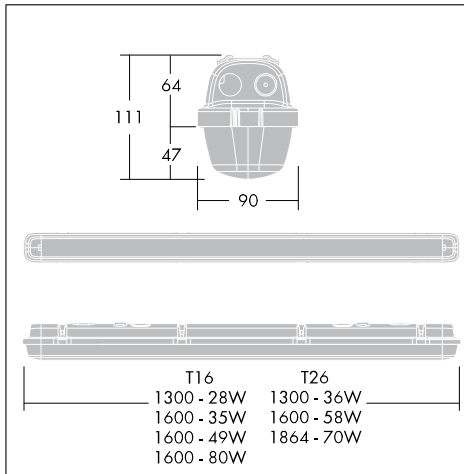
AquaForce II

A highly durable, IP65 rated, luminaire for use in wet and dusty areas, where reliability is important

- LED version with unique dual light optic
- Deep gasket channel for an assured IP65 seal
- Suspensible gear tray for easy maintenance
- Connect, ready to install versions



Photographs, line drawings and photometric data are representative only. For specific product detail please select an individual product.



96236888

Material/Finish

Canopy and diffuser: injection moulded fire retardant polycarbonate
 Gear tray: sheet steel, white enamel finish
 Toggles: polycarbonate (stainless steel available)

Installation/Mounting

Cable entry positions at the back and each end of the fitting. Stainless steel quick-fix brackets supplied with each luminaire. Toggle clips easy to fit and close by hand. Connect versions available with fast electrical connection facility. Conduit box mounting, chain suspension, conduit suspension and catenary suspension kits, plus through wire kits are all available (see accessories listing). LED version: through wiring end to end is not possible but looping in and out at one end is acceptable. Suitable for all indoor plus external 'under cover only' applications.

Specification

To specify state:
 Deep channel, polycarbonate IP65 luminaire with stainless steel gear tray fixing clips.
 As Thorn AquaForce II

AquaForce II

Ordering Guide Lamps to be ordered separately (except LED version) / Supplied complete with lamp(s)

Description	ILCOS Code	Socket	Wt (kg)	SAP Code
AquaForce II T16				
AQUAF2 1x28W T16 HF L000	FDH	G5	2	96236882
AQUAF2 1x35W T16 HF L000	FDH	G5	2,4	96236883
AQUAF2 1x49W T16 HF L000	FDH	G5	2,5	96236884
AQUAF2 1x80W T16 HF L000	FDH	G5	2,5	96236885
AQUAF2 2x28W T16 HF L000	FDH	G5	2,5	96236886
AQUAF2 2x35W T16 HF L000	FDH	G5	1,9	96236887
AQUAF2 2x49W T16 HF L000	FDH	G5	1,9	96236888
AQUAF2 1x28W T16 HF L840	FDH	G5	2,1	96236923
AQUAF2 1x49W T16 HF L840	FDH	G5	2,5	96236925
AQUAF2 1x35W T16 HF L840	FDH	G5	2,4	96236924
AQUAF2 1x80W T16 HF L840	FDH	G5	2,5	96236926
AQUAF2 2x28W T16 HF L840	FDH	G5	2,5	96236927
AQUAF2 2x35W T16 HF L840	FDH	G5	2,5	96236928
AQUAF2 2x49W T16 HF L840	FDH	G5	2,5	96236929
AQUAF2 2x49W T16 HF L830 V2A TW	FDH	G5	3,6	96238601
AQUAF2 2x28W T16 HF L830 V2A TW	FDH	G5	3,25	96238600
AquaForce II T16 dimmable				
AQUAF2 1x35W T16 HFI L000	FDH	G5	2,4	96240476
AQUAF2 1x49W T16 HFI L000	FDH	G5	2,45	96240478
AQUAF2 2x35W T16 HFI L000	FDH	G5	2,9	96240479
AQUAF2 2x49W T16 HFI L000	FDH	G5	3,4	96240481
AQUAF2 1x35W T16 HFI L840	FDH	G5	2,4	96240564
AQUAF2 1x49W T16 HFI L840	FDH	G5	2,45	96240565
AQUAF2 2x35W T16 HFI L840	FDH	G5	2,9	96240566
AQUAF2 2x49W T16 HFI L840	FDH	G5	3,4	96240567
AquaForce II T16 emergency				
AQUAF2 1x28W T16 HF E3 L000	FDH	G5	2,9	96236889
AQUAF2 1x49W T16 HF E3 L000	FDH	G5	2,9	96236891
AQUAF2 2x28W T16 HF E3 L000	FDH	G5	3,5	96236892
AQUAF2 2x49W T16 HF E3 L000	FDH	G5	6,1	96236894
AQUAF2 1x35W T16 HF E3 L000	FDH	G5	3,5	96236890
AQUAF2 2x35W T16 HF E3 L000	FDH	G5	3,9	96236893
AQUAF2 2x35W T16 HF E3 L840	FDH	G5	4,7	96236934
AQUAF2 2x49W T16 HF E3 L840	FDH	G5	3,5	96236935
AQUAF2 2x28W T16 HF E3 L840	FDH	G5	3,5	96236933
AQUAF2 1x49W T16 HF E3 L840	FDH	G5	3,5	96236932
AQUAF2 1x28W T16 HF E3 L840	FDH	G5	2,9	96236930
AQUAF2 1x35W T16 HF E3 L840	FDH	G5	2,9	96236931
AquaForce II T16 Connect				
AQUAF2 1x49W T16 HF CON L840	FDH	G5	2,3	96627984
AQUAF2 2x49W T16 HF CON L840	FDH	G5	3,241	96627985
AquaForce II T26				
AQUAF2 1x36W T26 HF L840	FD	G13	1,8	96503023

AquaForce II

Description	ILCOS Code	Socket	Wt (kg)	SAP Code
AQUAF2 1x58W T26 HF L840	FD	G13	1,8	96503046
AQUAF2 1x70W T26 HF L840	FD	G13	3,7	96503069
AQUAF2 2x36W T26 HF L840	FD	G13	2,6	96503092
AQUAF2 2x58W T26 HF L840	FD	G13	3,1	96503115
AQUAF2 2x70W T26 HF L840	FD	G13	3	96503138
AQUAF2 1X36W T26 HF L000	FD	G13	1,6	96503024
AQUAF2 1x58W T26 HF L000	FD	G13	1,6	96503047
AQUAF2 2x36W T26 HF L000	FD	G13	2,2	96503093
AQUAF2 2x58W T26 HF L000	FD	G13	2,7	96503116
AQUAF2 1x70W T26 HF L000	FD	G13	3,5	96233916
AQUAF2 2x70W T26 HF L000	FD	G13	3	96233919
AQUAF2 2x36W T26 HF HGF L830 V2A DV	FD	G13	3,7	96503278
AQUAF2 2x58W T26 HF HGF L830 V2A DV	FD	G13	4,9	96503280
AquaForce II T26 emergency				
AQUAF2 2x58W T26 HF E3 L840	FD	G13	4,1	96503123
AQUAF2 1x58W T26 HF E3 L840	FD	G13	3,1	96503054
AQUAF2 1x36W T26 HF E3 L840	FD	G13	2,6	96503031
AQUAF2 1x70W T26 HF E3 L840	FD	G13	4	96503077
AQUAF2 2x36W T26 HF E3 L840	FD	G13	3,4	96503100
AQUAF2 2x70W T26 HF E3 L840	FD	G13	4	96503146
AQUAF2 1x36W T26 HF E3 L000	FD	G13	2,5	96503032
AQUAF2 1x58W T26 HF E3 L000	FD	G13	3	96503055
AQUAF2 2x36W T26 HF E3 L000	FD	G13	3	96503101
AQUAF2 2x58W T26 HF E3 L000	FD	G13	3,6	96503124
AquaForce II T26 Connect				
AQUAF2 1x36W T26 HF CON L840	FD	G13	1,9	96503041
AQUAF2 1x58W T26 HF CON L840	FD	G13	2,5	96503064
AQUAF2 1x70W T26 HF CON L840	FD	G13	3	96503087
AQUAF2 2x36W T26 HF CON L840	FD	G13	1,9	96503110
AQUAF2 2x58W T26 HF CON L840	FD	G13	2,5	96503133
AQUAF2 2x70W T26 HF CON L840	FD	G13	3	96503156
AquaForce II Accessories				
FORCE2 BESA KIT			0,53	96503168
FORCE2 MRS KIT			0,06	96503169
FORCE2 28/36 TW KIT HGF			2	96503163
FORCE2 35/49/58 TW KIT HGF			2	96503164
FORCE2 FIX KIT			0,02	96503166
FORCE2 FIX/CH KIT			0,02	96503167
FORCE2 28/36 RS CLIP KIT			0,05	96503157
FORCE2 35/49/58 RS CLIP KIT			0,06	96503158
FORCE2 28/36 PC CLIP KIT			0,04	96503160
FORCE2 35/49/58 PC CLIP KIT			0,05	96503161
FORCE2 MCA KIT			0,1	96233817
FORCE2 R 1x28/36/54			0,52	96235134
FORCE2 R 1x35/49/58/80			0,15	96235135
FORCE2 R 2x28/36			0,25	96235136

AquaForce II

Description	ILCOS Code	Socket	Wt (kg)	SAP Code
FORCE2 R 2x35/49/58			0,65	96235137